

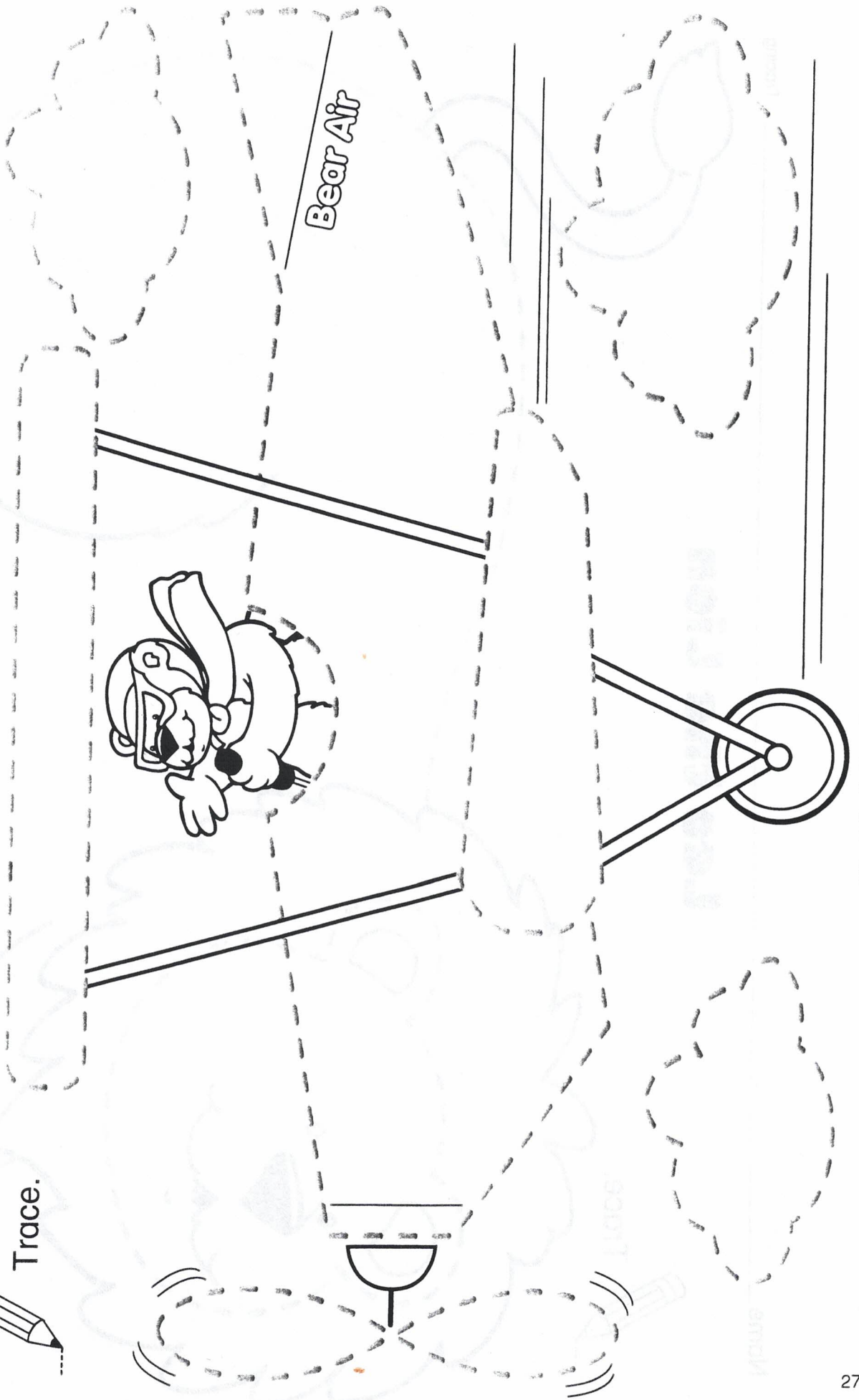
Name _____

Tracing

A Good Flight



Trace.



Trash Day

 Color.

 Crumple.  Glue.

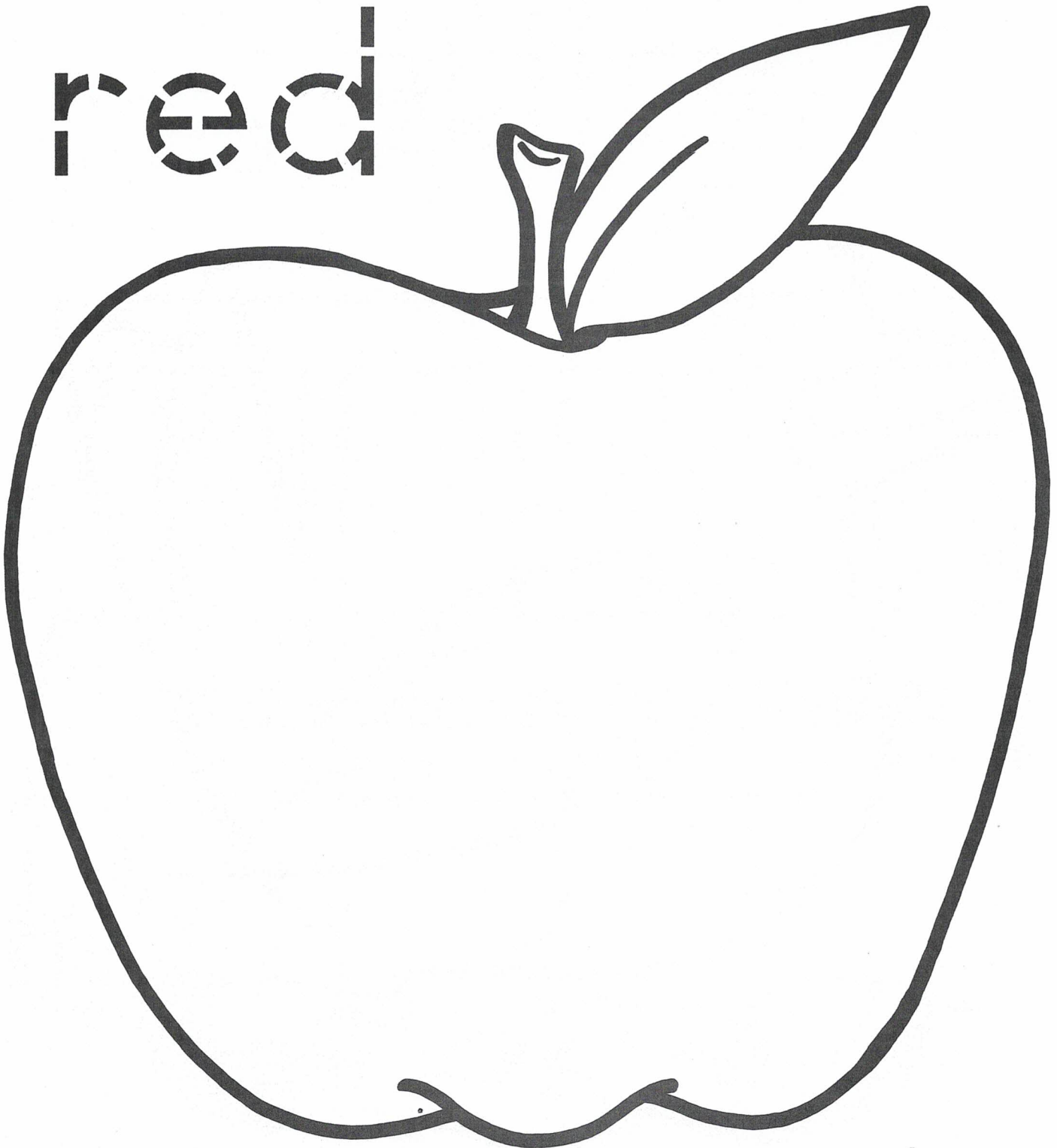


©The Mailbox® • Trace, Draw, & Crumple • TEC61098

Note to the teacher: Provide small scraps of colored paper. Have children crumple the scraps and then glue them to the garbage truck and can so they resemble trash.

Name _____

red



apple